



**NEW!**

## ENGINE

Model	: ISUZU AQ-6UZ1X
Type	: Water-cooled, 4 cycle, 6 cylinders, line type, direct injection, turbocharger, intercooler, diesel engine
Power	: 362 HP (270 kW) @2000 rpm / SAE J1995 (Gross)
Max. Torque	: 1435 Nm @1500 rpm (Gross)
Displacement	: 9839 cc
Bore and Stroke	: $\varnothing$ 120 mm x 145 mm

This new engine complies with the Emission regulations U.S. EPA Tier 4 Final and EU Stage IV

## UNDERCARRIAGE

X Type Lower Frame Construction Pentagon Box Type Chassis	
Shoe	: 3 grouser
No. Of Shoes	: 2 x 50
No. Of Lower Rollers	: 2 x 9
No. Of Upper Rollers	: 2 x 2
Full Trackguard	: Complete
Track Tensioning	: Hydraulic Spring Tensioning

## CAB

- Wide cab and easy entrance
- Use of six viscomount cabin mountings that dampen the vibrations
- Cooled storage room
- Colourful, Easy to read TFT indicant monitor
- Glass holder, book and object storage pockets
- Full automatic digitally air-conditioner
- Overclass standarts on the visibility
- Pool type flor mat
- Improved operator's comfort through versatile adjustable seat
- Ergonomically redesigned cabin through relocated switch board, and re-styled travel pedals and levers
- USB connected MP3 player
- Easy to open the front sliding glass
- Front and rear sun visor
- Large storage areas
- Height adjustable joystick
- Improved seat to back angle
- The height adjustable seat armrests
- Opera Control System

## TRAVEL AND BRAKERS

Travel	: Fully hydrostatic
Travel Motors	: Axial piston type
Reduction	: 3 stage planetary gear
<b>Travel Speed</b>	
High Speed	: 4,7 km/h
Low Speed	: 2,86 km/h
Max. Drawbar Pull	: 35.295 kgf
Gradeability	: 35° (%70)
Parking Brake	: Hydraulic multi disc type, integrated transmission

## LUBRICATION

Centralized lubrication system is provided for lubrication all difficult-to-reach parts on the components, such as boom and arm

## HYDRAULIC SYSTEM

<b>Main Pump</b>	
Type	: Double variable displacement axial piston pumps
Max. Flow	: 2 x 370 L/min
Pilot Pump	: 29 L/min
<b>Relief Valves</b>	
Attachment	: 325 kgf/cm <sup>2</sup>
Power Boost	: 355 kgf/cm <sup>2</sup>
Travel	: 325 kgf/cm <sup>2</sup>
Swing	: 300 kgf/cm <sup>2</sup>
Pilot	: 40 kgf/cm <sup>2</sup>
<b>Cylinders</b>	
Main Boom	: 2 x $\varnothing$ 170 x $\varnothing$ 115 x 1.650 mm
Stick Cylinder	: 1 x $\varnothing$ 190 x $\varnothing$ 130 x 1.870 mm
Bucket Cylinder	: 1 x $\varnothing$ 170 x $\varnothing$ 120 x 1.335 mm

## OPERA CONTROL SYSTEM

- Automatic idling Selection of multi-language on control panel
- Improved fuel economy and productivity
- Automatical electric power-off
- Maximum efficiency by selection of power and work modes
- Error mode registry and warning system
- Hidromek Smartlink
- Automatic preheating
- Automatical powerboost (Optional)
- Overheat prevention and protection system without interrupting the work
- Easy-to-use control panel and menus
- Rear-view, arm-view camera (Optional)
- Possibility to register 27 different operating hours
- Anti-theft system with personal code
- Real time monitoring of operational parameters such as pressure, temperature, engine load

## SWING SYSTEM

Swing Motor	: Axial piston type integrated with shock absorber valves
Reduction	: 2 stage planetary gear box.
Swing Brakes	: Hydraulic multi disc type, automatic warnings
Swing Speed	: 8,4 rpm

## CAPACITY

Fuel Tank	: 655 L	Engine Oil	: 44 L
Hydraulic Tank	: 515 L	Swing Reduction	: 2 x 3,5 L
Hydraulic System	: 615 L	Travel Reduction	: 2 x 7,5 L
Radiator	: 55 L	Urea Tank	: 70 L

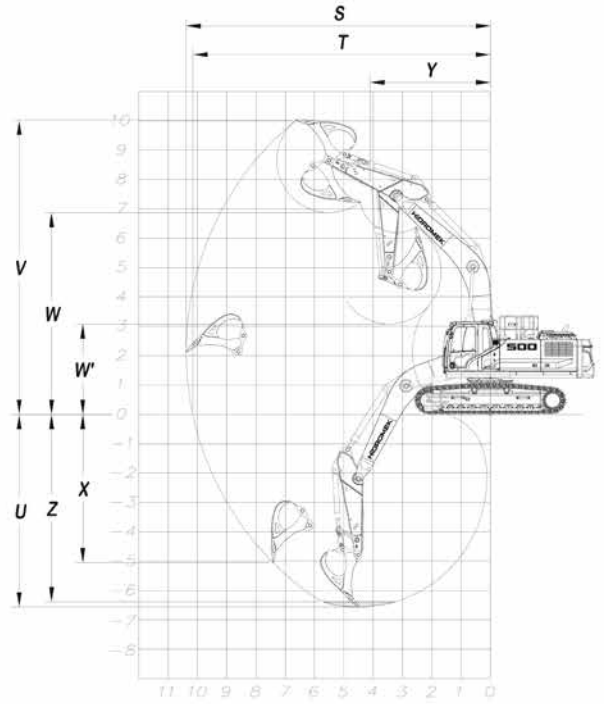
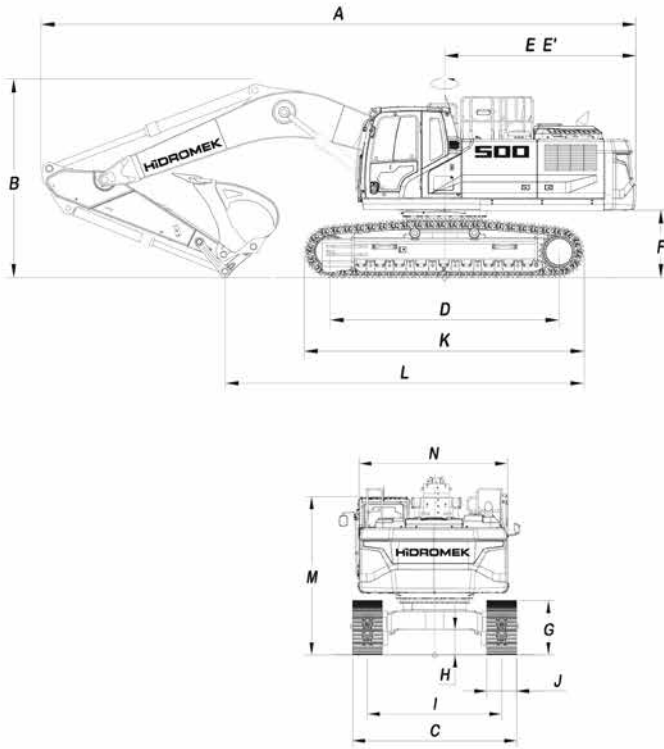
## ELECTRICAL SYSTEM

Voltage	: 24 V
Battery	: 2 x 12 V x 165 Ah
Alternator	: 24 V / 50 A
Starting Motor	: 24 V / 5,5 kw

## OPERATING WEIGHT

Standard machine operating weight : 51.800 kg

Operational weight, complying with the ISO 6016 standards, includes full fuel tank, hydraulic system and other liquids, 75kg operator weight and standard equipped machine weight. Optional equipments are not included.



## GENERAL DIMENSIONS

Boom Dimension	*6.300 mm	
Arm Dimension	*2.600 mm	2.900 mm
A - Overall Length	11.670 mm	11.740 mm
B - Overall Height (to top of boom)	4.280 mm	4.170 mm
C - Overall Width	3.500 mm	
D - Idler Distance	4.400 mm	
E - Counterweight Distance	3.880 mm	
E' - Turning Radius	3.915 mm	
F - Upper Structure Ground Clearance	1.385 mm	
G - Crawler Height	1.230 mm	
H - Minimum Ground Clearance	600 mm	
I - Track Gauge	2.900 mm	
J - Shoe Width	600 mm	
K - Overall Length of Crawler	5.470 mm	
L - Length Over Ground	7.590 mm	6.890 mm
M - Overall Height (to Top of Cab)	3.350 mm	
N - Upper Structure Width	2.990 mm	

\* Standard

## WORKING DIMENSIONS

Boom Dimension	*6.300 mm	
Arm Dimension	*2.600 mm	2.900 mm
S - Maximum Digging Reach	10.770 mm	11.040 mm
T - Maximum Digging Reach at Ground Level	10.490 mm	10.770 mm
U - Maximum Digging Depth	6.480 mm	6.790 mm
V - Maximum Digging Height	10.520 mm	10.620 mm
W - Maximum Dumping Clearance	6.940 mm	7.050 mm
W' - Minimum Dumping Clearance	3.330 mm	3.030 mm
X - Maximum Vertical Digging Depth	4.470 mm	4.750 mm
Y - Minimum Swing Radius	4.300 mm	4.360 mm
Z - Maximum Digging Depth (2440 mm level)	6.300 mm	6.620 mm

\* Standard

## DIGGING PERFORMANCE

Standard Bucket Capacity	3,2 m <sup>3</sup> (SAE)
Bucket Digging Force (Power Boost) ISO	26.100 (28.500) kgf
Arm Crowd Force (Power Boost) ISO	25.200 (27.600) kgf



## HİDROMEK®

### FACTORY - HEAD OFFICE

Ahi Evran OSB Mahallesi Osmanlı Caddesi No:1 06935 Sincan / ANKARA / TURKEY  
 Tel: (+90) 312 267 12 60 Fax: (+90) 312 267 12 39  
[www.hidromek.com](http://www.hidromek.com)

**Notice:**  
 Hidromek has the right to modify the specifications and design of the model indicated on this brochure without prior notice.