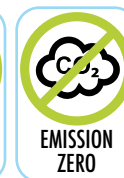
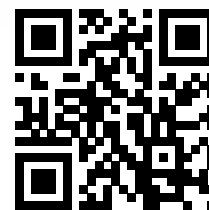
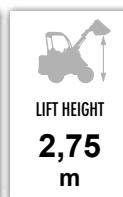
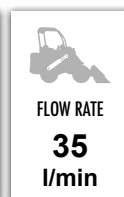
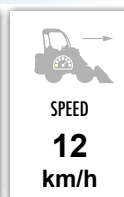
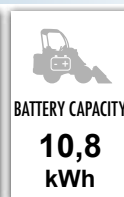


## EZ SERIES: EZ5

<http://tiny.cc/EZ5seriesEN>**NEW**

Model	EZ 5
Transmission	Hydrostatic
Drive speed (max.) <sup>(1)</sup>	12 km/h (7.5 mph)
Aux. hydraulics oil flow	35 l/min (9.3 GPM)
Max. lifting height	2,75 m (108 in)
Tipping load, max. <sup>(2)</sup>	1110 kg (2447 lbs)
Lifting capacity straight, max. <sup>(3)</sup>	890 kg (1962 lbs)
Breakout force / 50 cm	800 kg (1764 lbs)
Pushing force (c)	900 kgf (900 kp)
Average ground pressure (w/standard tires)	814 kg/m <sup>2</sup> (167 lbs/sqft)
Turning radius: inside/outside	800/2000 mm (31.5/78.7 in)
Standard tires (Tractor profile)	23x10.50-12 ET-25
Weight	1020 kg (2250 lbs)
<b>Product Code (Standard)</b>	<b>C977060</b>
<b>EZ5 Pack 1 (ACI with Multi-functions joystick)</b>	<b>C977061</b>

<sup>(1)</sup> Maximum speed that can be achieved with the largest diameter tires available, on a flat surface and machine without attachments.

<sup>(2)</sup> Tipping limit, when the machine is straight, with rear weights and boom lifted just off the ground. Weight of attachment included.

<sup>(3)</sup> Maximum load that can be lifted just off the ground when the machine is straight and with rear weights. Weight of attachment is included.

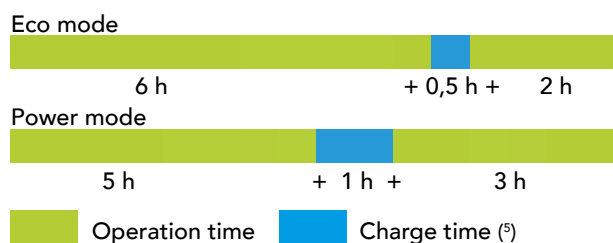
<sup>(4)</sup> The operation time of machine varies highly depending on the type of work it is performing.

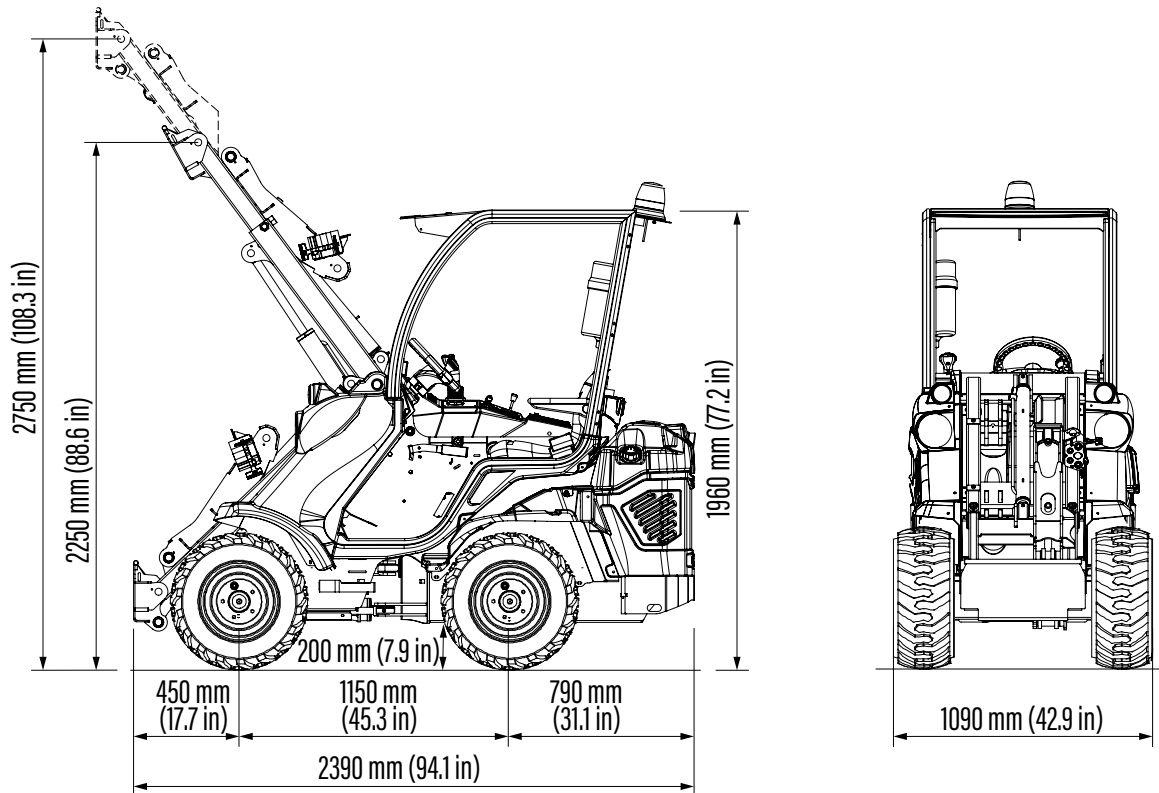
<sup>(5)</sup> With MultiOne Fast Charging Station.

Note: Refer to the Operator's manual for the comprehensive load diagram.

## Electric system and battery

Battery type	LiFePO4
Battery capacity	10,8 kWh
Electric motors	2
Charging system	Integrated charger
Charger type	Sealed single-phase
Charger Input Voltage	110 - 230 ± 10% VAC
Charger Input Frequency	50 ÷ 60 Hz
Charger Absorbed Current	Max. 14 A
Charging Current (230 VAC)	Max. 60 A
Charging Current (120 VAC)	Max. 30 A
Charger plug type	Schuko, CEE 7/7
Charger Protection	Output short-circuit, Inverse polarity

Daily work cycle in hours <sup>(4)</sup>



Tires size	Height	Width
23x8.50-12	1960 mm (77.2 in)	980 mm (38.6 in)
23x10.50-12 ET-25	1960 mm (77.2 in)	1090 mm (42.9 in)
27x8.50-15	2010 mm (79.1 in)	1000 mm (39.4 in)
26x12.00-12 ET-50	1998 mm (78.6 in)	1200 mm (47.2 in)

## FEATURES

- Twin Motors Single Ended Circuits
- LI-ION Battery
- Integrated Smart Battery Charger
- Zero Emission
- Low Noise
- Braking Energy Recovery System
- Unbreakable Body Panels
- 4WD hydrostatic Direct Drive motors
- DBS (Dynamic Block System)
- Self-levelling double-H telescopic boom
- ACI with Multi-functions joystick (22 functions) on Pack 1
- Mechanical parking brake
- LCD graphic display with programmed service
- 2 front working light
- Ergonomic full adjustable suspension seat with armrests and seat belt
- High efficiency wheel motors
- Hydraulic multiconnector
- ROPS-FOPS Level I

## EZ 5 / EZ 8 - FAST CHARGING STATION



QUICK CHARGE



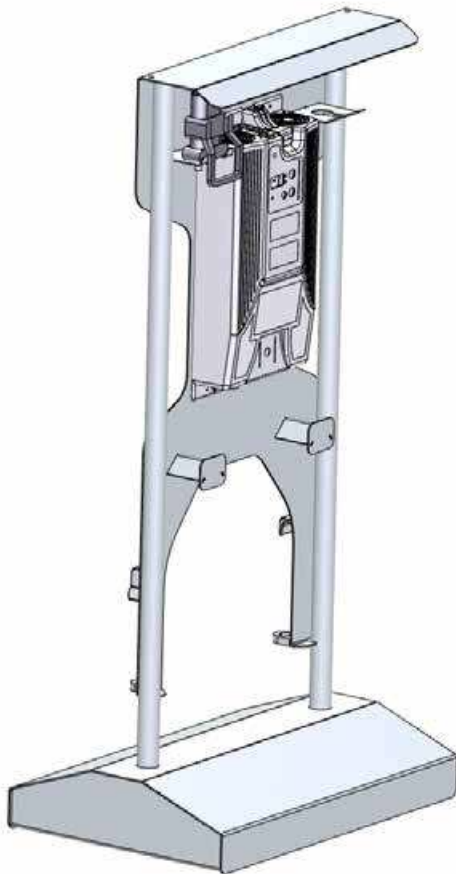
HIGH EFFICIENCY  
SAVE ENERGY



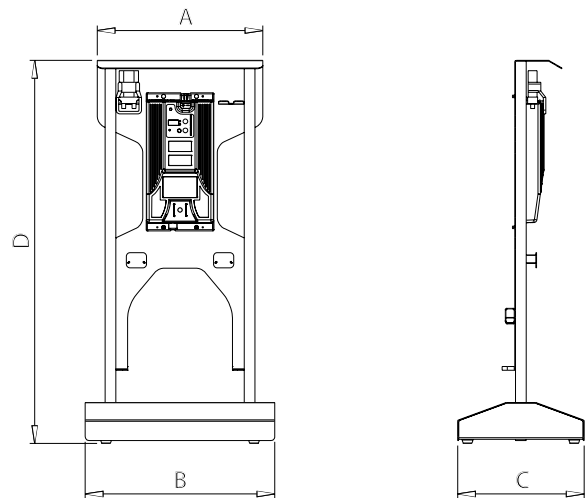
BATTERY CARE



FLEXIBILITY



Models	95A	160A
Input Voltage	400 V $\pm$ 15 % - 50/60 Hz	
Nom. Phase Current	9 A	13 A
AC Plug	CEE 16A 400V 3P+T	
Battery Cable (mm <sup>2</sup> /in <sup>2</sup> )	25 / 0.04	35 / 0.06
Output Voltage	48V	
Output Current	95 A	160 A
Weight	50 kg (110 lbs)	
Product Code	C883809	C883808



Dimensions				
	A	B	C	D
cm	65,5	75	50	151,5
in	25.5	29.5	19.5	60

## FEATURES

- Suitable for EZ 5 and EZ 8
- Quick charge. 1 hour charging:
  - EZ 5 - 60% charge (with 95A Fast Charging Station)
  - EZ 8 - 50% charge (with 160A Fast Charging Station)
- CAN bus communication for lithium will ensure efficient and fast charging
- Peak Efficiency: 93%
- LCD display
- Forced air-cooling
- MultiOne coupling plate

## EZ 5 - OPTIONS

Options	Code
2" Hitch receiver (not compatible with C883047)	C883062
Attachment coupling plate for rear mounting (not compatible with C883047)	C880031
Beacon light	C883039
Biodegradable oil	C883058
Driver area cover	C880049
Fast charging station 95A	C883809
Fast charging station 160A	C883808
Flat face coupling kit	C880221
Floating boom valve	C885223
GPS tracker	C883075
Left protection bar for operator	C885026
Mirrors	C880081
Polycarbonate back window (smart cabin)	C883508
Polycarbonate right side (smart cabin)	C883507
Polycarbonate windscreen (smart cabin)	C883506
Rear bull bar (not compatible with C883062, C885014 and C880031)	C883047
Rear side weights 80 kg (40 kg + 40 kg) / 176 lbs (88 lbs + 88 lbs)	C883076
Rear weights 180 kg (90 kg + 90 kg) / 396 lbs (198 lbs + 198 lbs)	C880054
Skid tires 27x8.50-15, set of 4	C884011
Snow chains for wheels 23x10.50-12, set of 2	C880046
Snow chains for wheels 23x8.50-12, set of 2	C880041
Snow chains for wheels 26x12.00-12, set of 2	C880042
Tie down bracket on wheel hub, set of 4	C883068
Tractor tires 23x10.50-12 ET-25, set of 4	C884007

## EZ 5 - OPTIONS

Options	Code
Tractor tires 23x8.50-12, set of 4	C884005
Tractor tires 26x12.00-12 ET-50, set of 4	C884009
Trailer coupling (not compatible with C883047)	C885014
Turf tires 23x10.50-12 ET-25, set of 4	C884008
Turf tires 23x8.50-12, set of 4	C884006
Turf tires 26x12.00-12 ET-50, set of 4	C884010
Wheel spacer 10 mm (0.4 in), set of 4 (max. 2 pcs for wheel)	C880090
Wheel spacer 55 mm (2.2 in), set of 4 (max. 1 pcs for wheel)	C885010
ACI upgrade	C090027